

# Vactor HXX Prodigy Vacuum Excavator



*Versatility & Productivity In a Compact Package*



## Safe

The Vactor HXX Prodigy vacuum excavator provides a relatively safe, non-destructive alternative to traditional excavation methods, nearly eliminating the possibility of costly strikes to underground utilities.

Like the full-sized HXX HydroExcavator, the Prodigy uses hydroexcavation to cut soil with jets of 0 to 20 gallons of water per minute, at pressures from 1500 to 2500 psi. Or, for applications where dry digging is preferred, the Prodigy also comes with an optional 185 cfm / 150 psi air excavation system. With either method of digging, the Prodigy's superior vacuum system effectively removes the excavated soil.

The Prodigy enables you to work around and locate buried utilities with minimal risk and minimal disruption.

## Smart

The Vactor HXX Prodigy combines big-machine performance features at a cost that will appeal to municipalities and contractors just getting started in vacuum excavation or ready to upgrade from a pull-behind unit to a truck.

The Prodigy packs tremendous performance into a compact, maneuverable truck.

- Optional pressurized air system for dry digging.
- Multi-flow pump system allows you to adjust water pressure with a turn of the knob for digging in various conditions.
- Optional extendable boom with a 320-degree rotating range maximizes the work area.
- Optional telescopic boom reduces the need to add pipe extensions.
- 6 yd<sup>3</sup> or optional 9 yd<sup>3</sup> debris tank provides impressive capacity for mid-sized machine.
- 600-gallon water tank provides 3.5 hours of productive digging.
- Optional 425,000 BTU or 900,000 BTU water heater helps cut through frozen ground and clay.
- Optional cold weather package which includes a heated pump and hose-reel cabinet protects against winter weather.
- Centrally located panel monitors all functions, including air and water pressures, engine rpm, fan speed and lights. These can be operated remotely, either from a pendant or optional wireless control.

As with any Vactor machine, you can customize your Prodigy with a variety of options.

## Reliable

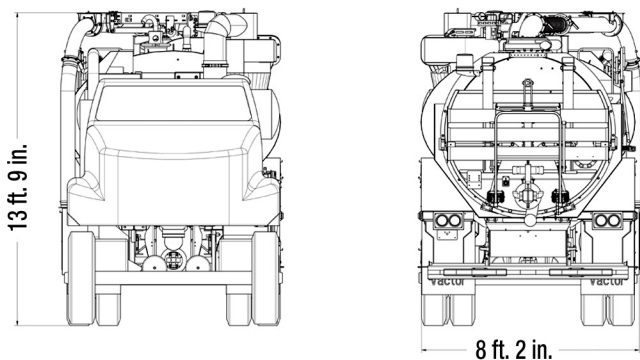
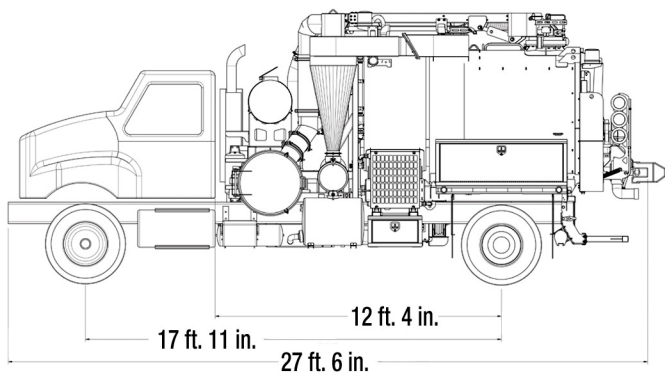
The HXX Prodigy vacuum excavator comes to you from Vactor, the most trusted name in air and water conveyance and vacuum technology. The Prodigy features the productive know-how that comes from nearly 50 years of supplying contractors and municipalities with durable, reliable sewer and catch-basin cleaners—in a mid-sized machine purpose-built for vacuum excavation.

## For a demonstration or more information, contact:

Vactor Manufacturing  
1621 S. Illinois St. Streator, IL 61364  
815/672-3171 Fax: 815/672-2779  
[www.vactor.com](http://www.vactor.com)

©2007 Federal Signal Corporation.  
Some items shown may be optional. Specifications subject to change without notice.

**VACTOR®**  
**HXX™**  
VACUUM EXCAVATORS



## Debris Body

- 6 cu yd volumetric capacity debris body
- 1/4 inch round design, abrasion and corrosion resistant Ex-Ten steel
- Flat style, 3/4 rear door, hinged at top with replaceable neoprene seal
- Hydraulic rear door open, close, and locking system
- Front mounted hydraulic dump cylinder, 50 degree dump angle, power up / power down

## Water Tanks

- 600 gal capacity
- #304 3/16 inch stainless steel water tank
- Anti-siphon device & anti-splash valve with 25 ft water fill hose and connectors
- Electric water-level indicator with low-water warning system
- 10-yr warranty against corrosion and cracking

## Water System

- Water system is design rated at 10 gpm @ 2500 psi
- Hydraulically operated triplex piston water pump with electronic flow management
- Handgun hose 3/8 inch x 75 ft with operating pressure rating of 3500 psi and burst pressure rating of 14,500 psi

## Vacuum System

- Roots 624 (16 inch Hg) 3200 cfm @ maximum speed 3000 rpm
- Direct drive OMSI transfer case
- Vacuum relief located at the inlet to the final filter to allow operator to vent to atmosphere. Remote-control operated

## Hydraulic System

- Hydraulic reservoir capacity of 50 gallons with strainers on all suction lines
- Oil-level sight gauges on hydraulic reservoir
- Inspection port for maintenance
- 10 micron spin-on type filter

## Electrical

- Entire system is moisture and vapor sealed
- All wires function stamped and color coded
- Electrical connections require no exposed wires or terminals
- Light bulbs will be shock mounted

## Paint

- All metal surfaces shot blasted prior to painting
- All metal surfaces will be phosphate washed prior to painting
- Module components will be painted prior to assembly

## Options

- 9 cu yd debris body (tandem-axle only)
- Air excavation package
- Truck-mounted boom
  - Extendable boom
  - Telescopic boom
- Wireless remote
- Vacuum enhancer
- Air purge system utilizing chassis air system
- Water heater - 425,000 BTU / hr
- Water heater - 900,000 BTU / hr (includes inverter, and chassis must have minimum 160 amp alternator)
- 20 gpm water pump
- Additional toolboxes

